

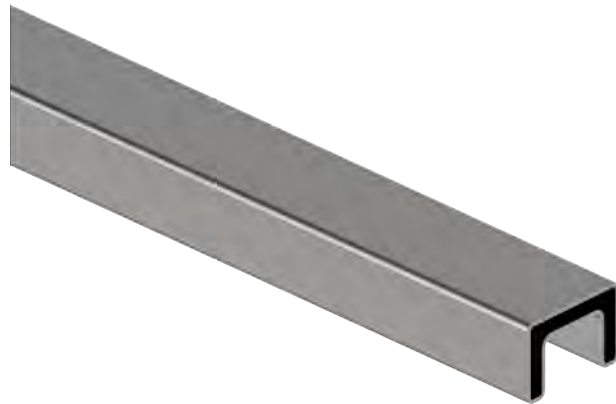
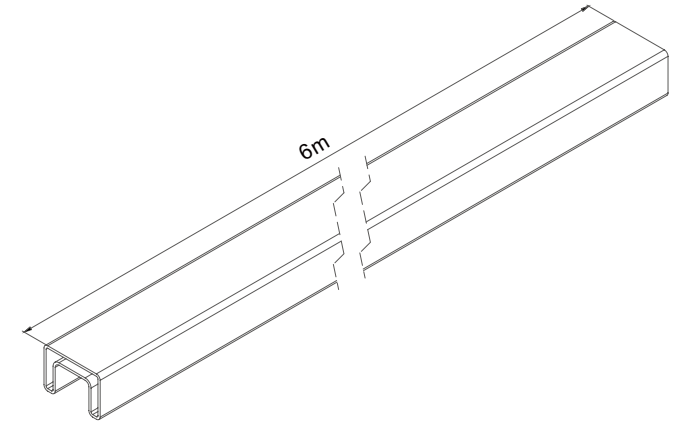
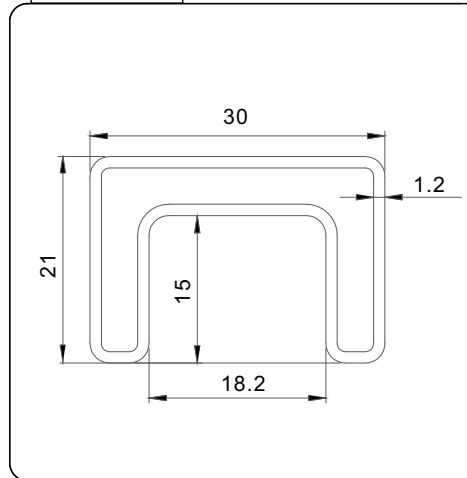
Drawing ID

TR-S30X

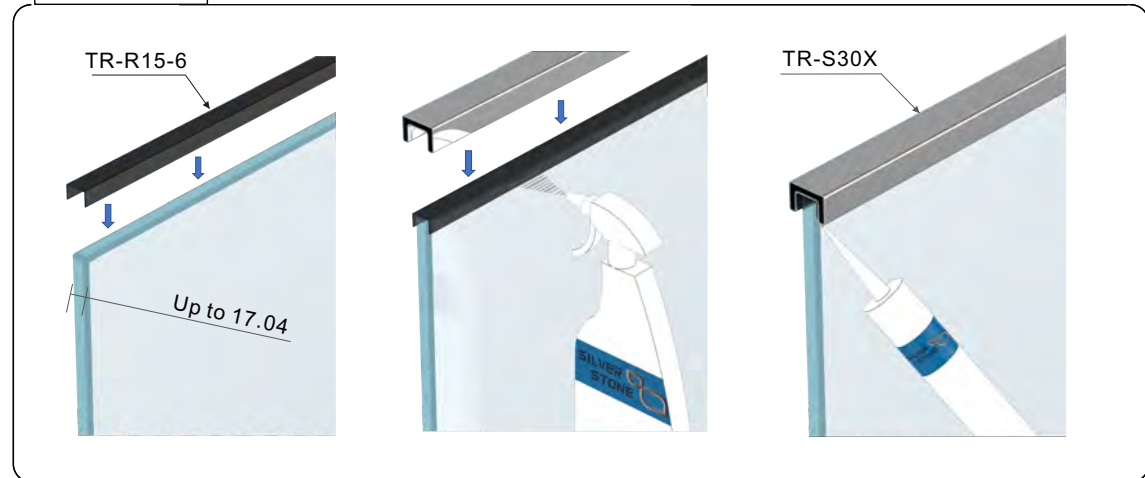
Product Info.

Finish	Code
Polish	TR-S30M
Satin	TR-S30S
Texture Black	TR-S30B

Dimensions



Instructions



MATERIAL:

316L Stainless Steel

CATALOGUE AND DESCRIPTION:

- > Railing Systems
- > TR-S30 Series
- > 30 x 21mm Square Top Rail

NOTES:

This drawing and or specification is the property of Silver Stone Hardware Pty Ltd - and must be returned to them on request. Unauthorised use may result in Legal Action. Its contents must not be made public, nor copied, nor used directly or indirectly in any way.

SILVER STONE HARDWARE PTYLID

56-62 Bryant Street, Padstow, NSW 2211
 T: (02) 9792 2955 M: 0452 526 680
www.silverstonehardware.com.au
sales@silverstonehardware.com.au